

SELECT DESIRED BOLLARD COLOR:

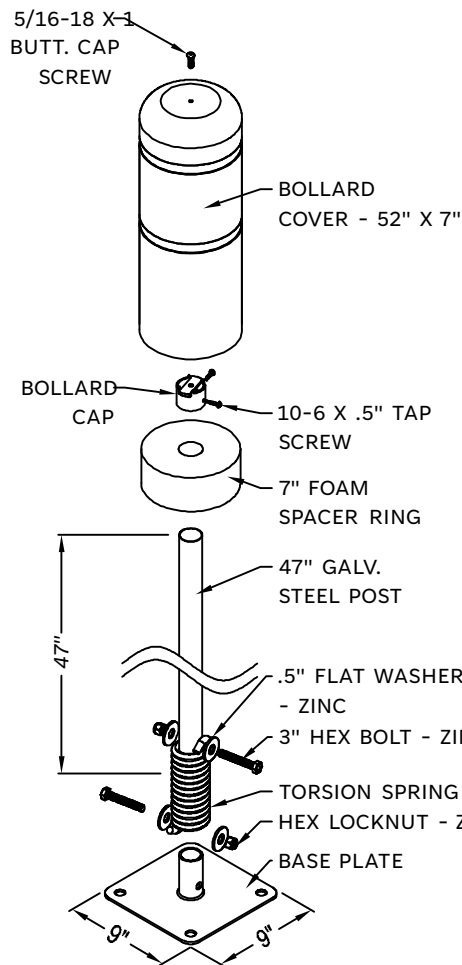
- |                                     |                                 |
|-------------------------------------|---------------------------------|
| <input type="checkbox"/> BLACK      | <input type="checkbox"/> YELLOW |
| <input type="checkbox"/> BLUE       | <input type="checkbox"/> GRAY   |
| <input type="checkbox"/> BROWN      |                                 |
| <input type="checkbox"/> GREEN      |                                 |
| <input type="checkbox"/> LIGHT GREY |                                 |
| <input type="checkbox"/> RED        |                                 |
| <input type="checkbox"/> WHITE      |                                 |

SELECT DESIRED 3M REFLECTIVE TAPE:

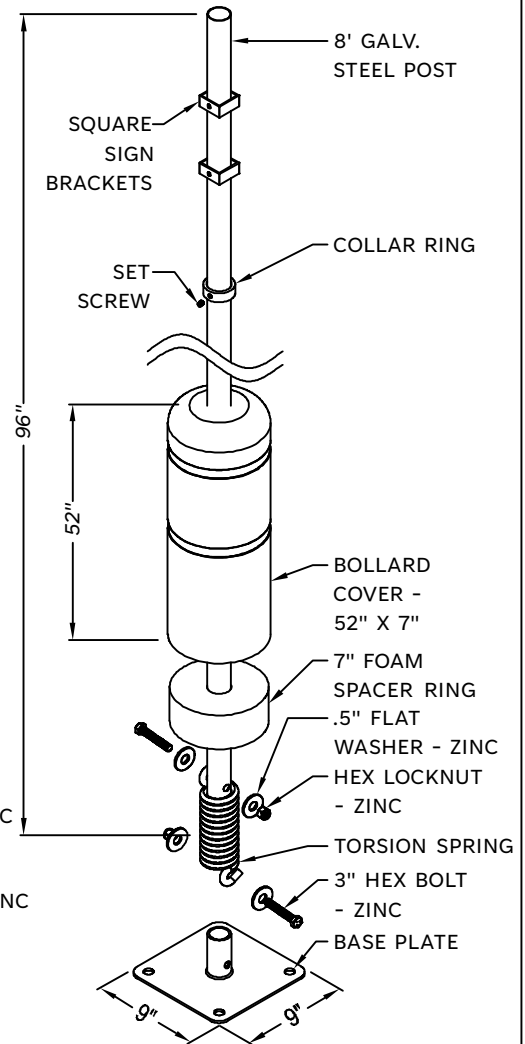
- |                                 |                                  |
|---------------------------------|----------------------------------|
| <input type="checkbox"/> BLACK  | <input type="checkbox"/> RED     |
| <input type="checkbox"/> BLUE   | <input type="checkbox"/> WHITE   |
| <input type="checkbox"/> GREEN  | <input type="checkbox"/> YELLOW  |
| <input type="checkbox"/> ORANGE | <input type="checkbox"/> NO TAPE |

SELECT DESIRED BOLLARD:

- |                                       |
|---------------------------------------|
| <input type="checkbox"/> WITHOUT POST |
| <input type="checkbox"/> WITH POST    |



EXPLODED VIEW-WITHOUT POST



EXPLODED VIEW-WITH POST

**SPECIFICATIONS:** MATERIAL: HDPE/STEEL.

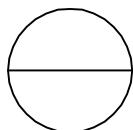
**ACCESSORIES:** MOUNTING HARDWARE INCLUDED FOR EITHER CONCRETE, ASPHALT, OR NATURAL GROUND SURFACES.

**REFLECTIVE MATERIAL:** 3M #5100 SCOTCHLITE FILM

**WARRANTY:** 1-YEAR WARRANTY AGAINST MANUFACTURER DEFECTS.

**NOTES:**

1. INSTALLATION TO BE COMPLETED IN ACCORDANCE WITH MANUFACTURER'S SPECIFICATIONS.
2. DO NOT SCALE DRAWING.
3. THIS DRAWING IS INTENDED FOR USE BY ARCHITECTS, ENGINEERS, CONTRACTORS, CONSULTANTS AND DESIGN PROFESSIONALS FOR PLANNING PURPOSES ONLY. THIS DRAWING MAY NOT BE USED FOR CONSTRUCTION.
4. ALL INFORMATION CONTAINED HEREIN WAS CURRENT AT THE TIME OF DEVELOPMENT BUT MUST BE REVIEWED AND APPROVED BY THE PRODUCT MANUFACTURER TO BE CONSIDERED ACCURATE.
5. CONTRACTOR'S NOTE: FOR PRODUCT AND COMPANY INFORMATION VISIT [www.CADdetails.com/info](http://www.CADdetails.com/info) AND ENTER REFERENCE NUMBER 5132-026



**FLEXIBLE BOLLARDS**

**BOLLARDFLEX**