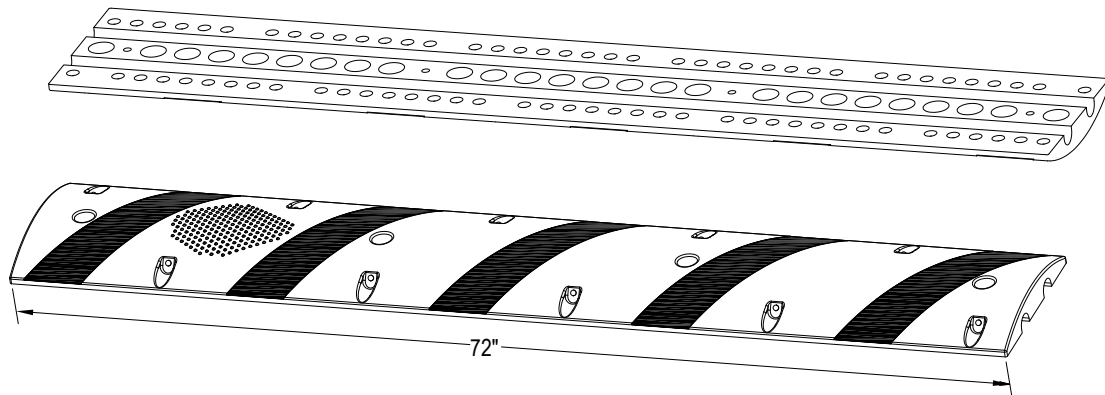


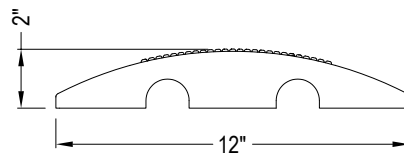


INNOPLAST
 5718 TRANSPORTATION BLVD
 GARFIELD HEIGHTS OH, 44125
 TOLL FREE: 1-800-516-9287
 PHONE:(440) 543-8660
 FAX: (440) 543-8661
 www.innoplust.com



FEATURES:

- RECYCLED RUBBER
- 1-YEAR WARRANTY AGAINST MANUFACTURE DEFECTS
- REFLECTIVE CAT-EYES FOR NIGHTTIME VISIBILITY
- TWO 1" DIAMETER CHANNELS
- 4 MOUNTING HOLES
- CONFORMS TO ASPHALT OR CONCRETE SURFACE
- WEIGHT: 56 LBS



RSB6-6' RUBBER SPEED BUMP

STANDARD COLORS:

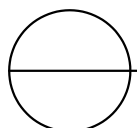
BLACK WITH YELLOW STRIPES

ACCESSORIES:

LAG BOLTS (CONCRETE APPLICATION) OR SPIKES (ASPHALT APPLICATION); SOLD SEPARATELY
 RUBBER SPEED BUMP END CAPS; SOLD SEPARATELY.

NOTES:

- INSTALLATION TO BE COMPLETED IN ACCORDANCE WITH MANUFACTURER'S SPECIFICATIONS.
- DO NOT SCALE DRAWING.
- THIS DRAWING IS INTENDED FOR USE BY ARCHITECTS, ENGINEERS, CONTRACTORS, CONSULTANTS AND DESIGN PROFESSIONALS FOR PLANNING PURPOSES ONLY. THIS DRAWING MAY NOT BE USED FOR CONSTRUCTION.
- ALL INFORMATION CONTAINED HEREIN WAS CURRENT AT THE TIME OF DEVELOPMENT BUT MUST BE REVIEWED AND APPROVED BY THE PRODUCT MANUFACTURER TO BE CONSIDERED ACCURATE.
- CONTRACTOR'S NOTE: FOR PRODUCT AND COMPANY INFORMATION VISIT www.CADdetails.com/info AND ENTER REFERENCE NUMBER 5132-015



SPEED BUMPS

RUBBER SPEED BUMPS